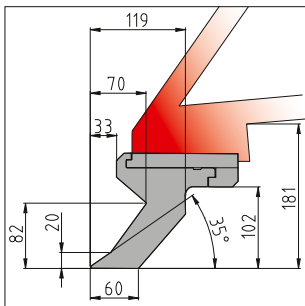




CIDAN folding machine model **MEGAPRO** is built in a sturdy and solid construction, which is important to be able to fold perfect details in 6 mm (1/4") steel or 4 mm (9ga.) stainless steel (applies on 3100 mm (122") folding length). The sturdy beams withstand the powerful folding forces by means of a very strong construction. CIDAN model MEGAPRO has many advanced CNC functions like adjustment of sheet thickness, folding center and crowning. MEGAPRO also has an automatic tool locking system in the upper beam as a standard feature.

- Dual servo driven motors for both clamping and folding beams gives incredibly fast speed and accuracy. High clamping pressure of 60 tons (66US) for accurate forming.
- CNC adjustment of folding center, sheet thickness and crowning.
- The clamping beam opens as the folding beam returns so that they are positioned for the next step simultaneously.



High divided tool 102 mm (4.01") also available in 152 mm (5.9").



J-shaped back gauge, allowing one operator to handle large details. Height adjustment as option.



Power enough to fold up to 8 mm (0.315") mild steel.



CNC adjustment of folding center, sheet thickness and crowning.

STANDARD RAILS

Divided straight rail 35°, divided folding beam rail 20 mm (.787"), divided folding beam rail 40 mm (1.57")

Model	Folding length	Folding capacity			Opening height	Outer dimensions****	Weight	Motor	
		Steel* mm (")	Stainless steel** mm (")	Aluminium*** mm (")				Clamping beam mm (")	Length x depth x height x height mm (")
MEGAPRO 25	2600 (102)	8.0 (0.315)	5.10 (0.201)	10.00 (0.394)	350 (13)	4200 x 3590 x 2250 (165x141x89)	10780 (23.765)	2 x 5.5 (2 x 7.5)	2 x 4.0 (2 x 5.5)
MEGAPRO 30	3100 (122)	6.0 (0.236)	3.80 (.149)	9.00 (0.354)	350 (13)	4700 x 3590 x 2250 (185x141x89)	11850 (26.124)	2 x 5.5 (2 x 7.5)	2 x 4.0 (2 x 5.5)
MEGAPRO 40	4100 (161)	5.0 (.196)	3.20 (.126)	7.50 (0.295)	350 (13)	5700 x 3590 x 2250 (224x141x89)	13980 (30.820)	2 x 5.5 (2 x 7.5)	2 x 4.0 (2 x 5.5)

Tensile strength *at 400 N/mm²-58000 lbf/in² (psi) - **at 600 N/mm²-87000 lbf/in² (psi) - ***at 200 N/mm²-29000 lbf/in² (psi) - ****With motorized back gauge SBG-15