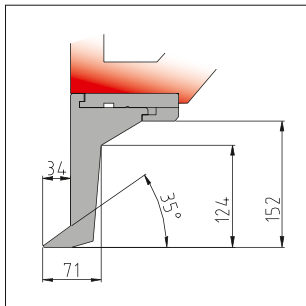


PROLINO

CIDAN combines over 20 years of production experience of heavy gauging machines with the **PROLINO**, a production that started with the well-known K50, earning the reputation to deliver a reliable and proven 4 mm (9 ga) x 3.1 meters (122") machine to the heavier sheet metal industry. The advantages of a PROLINO is the ability to customize your CIDAN folder to the exact specifications needed for your application. This machine can fold complex profiles and large panels with high precision, increased flexibility and productivity, therefore it is the perfect choice for industrial manufacturing.

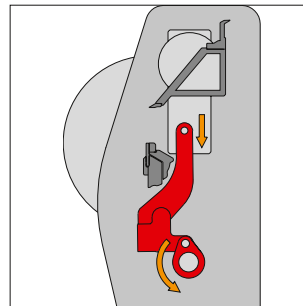
- The combination of an eccentric pull down that drives the upper beam with 50 tons (55US) clamping pressure and dual drive for the folding beam makes the machine perfect for industrial manufacturing.
- With the crowning system it is possible to make exact bends with high precision and a precise folding radius.
- Optional Combi beam with high divided tooling and straight rail.
- The PROLINO can be prepared for high divided tools from 152 mm (5.9") up to 254 mm (10") height. Change of tool height does not require any machine change.



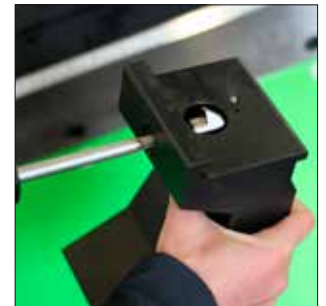
High divided tool 152 mm (5.9"), also available in 254 mm (10") or C-shaped in 152 mm (5.9").



AGS back gauge table for PROLINO Standard and PROLINO Combi beam machines.



Eccentric drive gives optimal opening and closing speed, combined with high clamping pressure.



Divided tools with quick change for combi beam.

STANDARD RAILS

Straight rail 35°, folding beam rail 15 mm (.591"), folding beam rail 35 mm (1.38")

Model	Folding length	Folding capacity			Opening height	Outer dimensions****	Weight	Motor		
		mm (")	Steel* mm (ga)	Stainless steel** mm (ga)				Aluminium*** mm (")	Clamping beam mm (")	Length x depth x height mm (")
PROLINO 30	3100 (122)		4.00 (9)	2.50 (12)	6.00 (0.236)	200 (7.88)	4400 x 2535 x 2100 (173x100x83)	7800 (17.160)	4.0 (5.5)	5.5 (7.5)
PROLINO 40	4100 (161)		3.00 (11)	1.90 (14)	4.50 (0.177)	200 (7.88)	5400 x 2535 x 2100 (213x100x83)	9670 (21.274)	4.0 (5.5)	5.5 (7.5)

Tensile strength *at 400 N/mm²-58000 lbf/in² (psi) - **at 600 N/mm²-87000 lbf/in² (psi) - ***at 200 N/mm²-29000 lbf/in² (psi) - ****With Combi clamping beam and motorized back gauge AGS Base unit